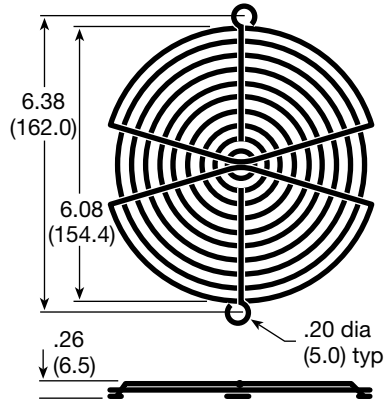


# SGR-59

## RoHS Compliant



- Bright nickel chrome plated finish 0.0005.
- Meets UL 0.25 inch maximum spacing plug gage test.
- Steel wire rings 1.8 mm (0.072") D., ribs 2.2 mm (0.087") D., bright basic wire.
- Weld joints to withstand minimum 220 lbs. separation force.