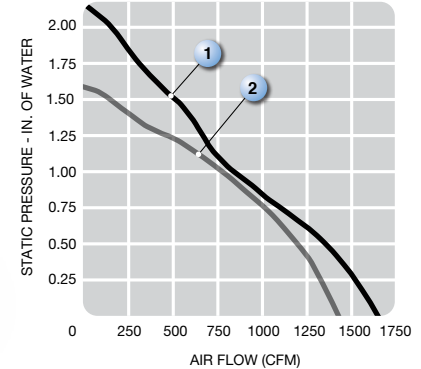
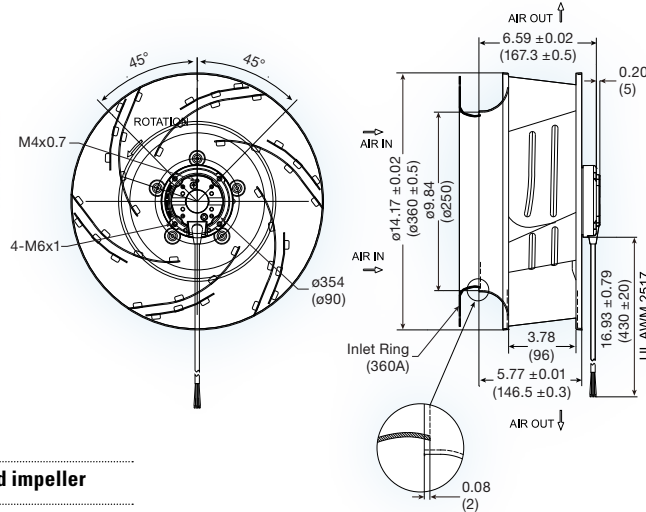


# UF360AAA series



1 = 60 Hz 2 = 50 Hz



**(360 dia. x 167.3 mm)**  
14.17 dia. x 6.59 inches

**Features:** backward curved impeller

**Operating voltage:** 115 or 230 VAC

**Construction:** aluminum die cast motor base, aluminum impeller

**Bearing option:** ball bearing

**Motor:** permanent split capacitor required capacitor included

**Air Flow:** centrifugal

**Connection:** AWM 2517 lead wires

**Option:** tachometer output

| Model No.        | Rated Voltage<br>V | Freq.<br>HZ | Input Power<br>W | Rated Cur.<br>A | Locked Cur.<br>A | Speed<br>RPM | Air Volume           |      | Max. Static Pressure (H <sub>2</sub> O) |      | Sound Noise<br>dba | Weight<br>kg |
|------------------|--------------------|-------------|------------------|-----------------|------------------|--------------|----------------------|------|---|------|--------------------|--------------|
|                  |                    |             |                  |                 |                  |              | M <sup>3</sup> /Min. | CFM  | MM                                      | INCH |                    |              |
| UF360AAA12-H1C4A | 115                | 50          | 190              | 1.70            | 4.24             | 1,400        | 40.5                 | 1430 | 40                                      | 1.6  | 66                 | 5.1          |
|                  | 115                | 60          | 270              | 2.26            | 4.00             | 1,600        | 46.5                 | 1645 | 55                                      | 2.2  | 70                 | 5.1          |
| UF360AAA23-H1C4A | 230                | 50          | 190              | 0.85            | 2.12             | 1,400        | 40.5                 | 1430 | 40                                      | 1.6  | 66                 | 5.1          |
|                  | 230                | 60          | 265              | 1.13            | 2.00             | 1,600        | 46.5                 | 1645 | 55                                      | 2.2  | 70                 | 5.1          |

