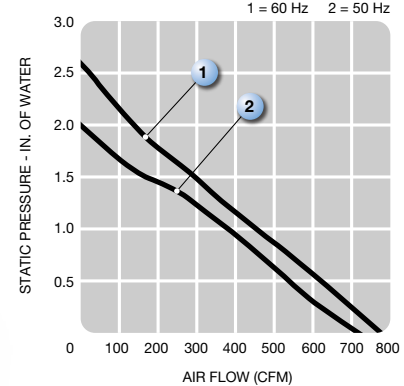
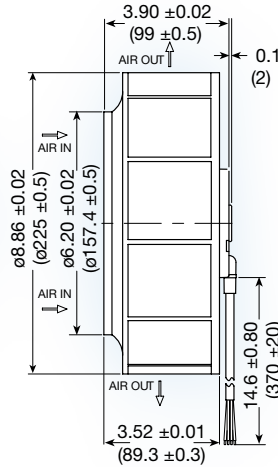
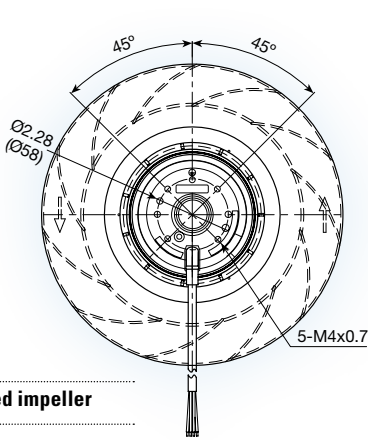


UF225(99)APA series



(225 dia. x 99 mm)
8.86 dia. x 3.90 inches



- Features:** backward curved impeller
- Operating voltage:** 115 or 230 VAC
- Operating temp.:** -40° ~ 50°C
- Construction:** aluminum die cast motor base; UL94V-0 reinforced nylon impeller
- Bearing option:** ball bearing
- Motor:** permanent split capacitor required capacitor included
- Air Flow:** centrifugal
- Connection:** AWM 2517 lead wires
- Protection:** thermal
- Option:** tachometer output

Model No.	Rated Voltage V	Freq. HZ	Input Power W	Rated Cur. A	Locked Cur. A	Speed RPM	Air Volume		Max. Static Pressure (H ₂ O)		Sound Noise dBa	Weight kg
							M ³ /Min.	CFM	MM	INCH		
UF225APA(99)12-H1C2A	115	50	128	1.16	2.22	2,650	20	700	51	2.0	69	2.3
	115	60	160	1.41	2.30	2,950	22	770	66	2.6	71	2.3
UF225APA(99)23-H1C2A	230	50	126	0.57	1.14	2,650	20	700	51	2.0	69	2.3
	230	60	157	0.70	1.15	2,950	22	770	66	2.6	71	2.3

