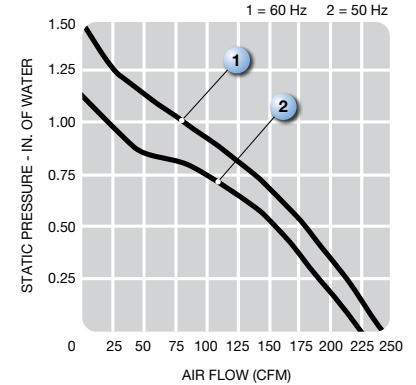
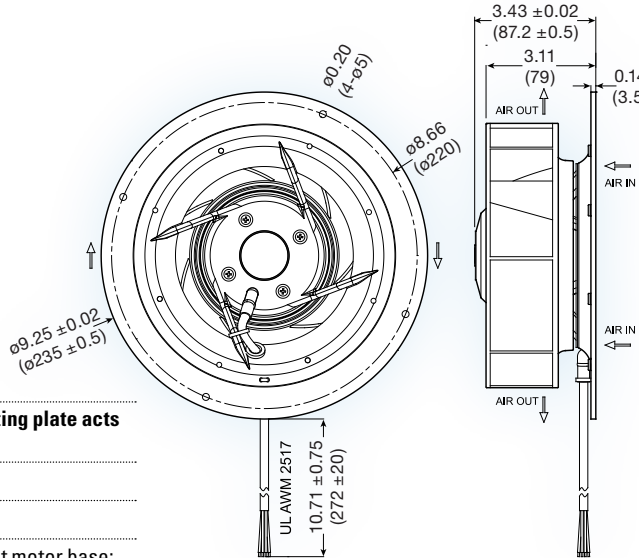


UF190APA-F series



(235 dia. x 87.2 mm)
9.25 dia. x 3.43 inches



- Features:** integrated mounting plate acts as inlet ring
- Operating voltage:** 115 or 230 VAC
- Operating temp.:** -40° ~ 50°C
- Construction:** aluminum die cast motor base; UL94V-0 reinforced nylon impeller
- Bearing option:** ball bearing
- Motor:** permanent split capacitor required capacitor included
- Air Flow:** centrifugal
- Connection:** 22 AWG lead wires
- Protection:** thermal
- Option:** tachometer output

Model No.	Rated Voltage V	Freq. HZ	Input Power W	Rated Cur. A	Locked Cur. A	Speed RPM	Air Volume		Max. Static Pressure (H ₂ O)		Sound Noise dBa	Weight kg
							M ³ /Min.	CFM	MM	INCH		
UF190APA12-H2C2F	115	50	55	0.45	0.92	2,500	6.5	230	29	1.1	60	1.5
	115	60	65	0.54	0.91	2,700	7.0	247	38	1.5	63	1.5
UF190APA23-H2C2F	230	50	57	0.23	0.43	2,500	6.5	230	29	1.1	60	1.5
	230	60	72	0.30	0.45	2,700	7.0	247	38	1.5	63	1.5

