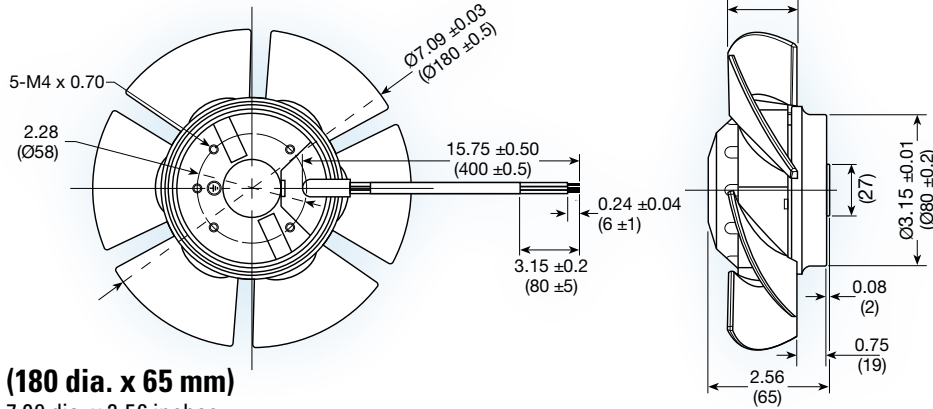
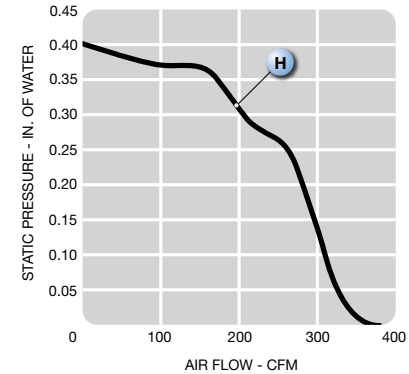


UF180BAB series



(180 dia. x 65 mm)
7.09 dia. x 2.56 inches



Features:	forward curved impeller
Operating voltage:	115 or 230 VAC
Construction:	aluminum die cast motor base aluminum impeller
Bearing option:	motor quality ball bearings
Motor:	2 pole permanent split capacitor, single phase
Air Flow:	axial
Connection:	22 AWG lead wires; nom. 14 inches
Protection:	thermal
Insulation:	Class B

Model No.	Rated Voltage V	Freq. HZ	Input Power W	Rated Cur. A	Locked Cur. A	Speed RPM	Air Volume		Max. Static Pressure (H ₂ O)		Sound Noise dbA	Weight LBS
							M ³ /Min.	CFM	MM	INCH		
UF180BAB12-HC2-A	115	60	75	0.71	1.23	3,100	11	388	10.1	0.4	65	2.6
UF180BAB23-HC2-A	230	60	75	0.40	0.54	3,100	11	388	10.1	0.4	65	2.6

