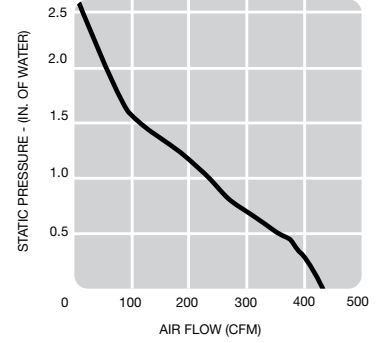
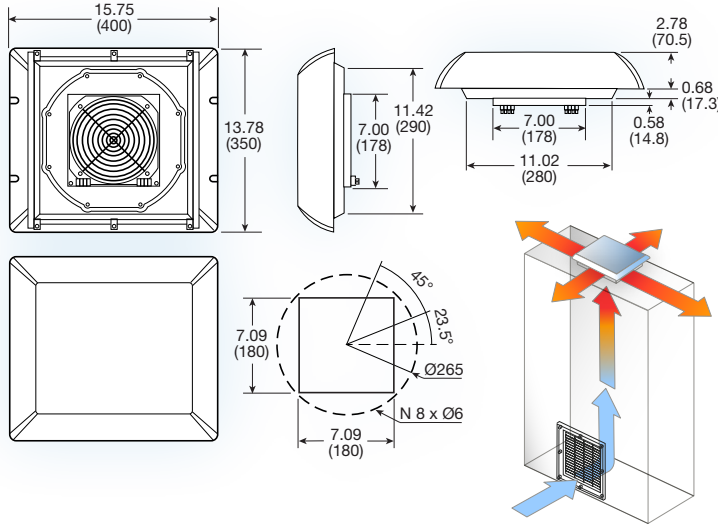


# MRF-220



**(400 x 350 x 116 mm)**  
15.75 x 13.78 x 4.57 inches

Construction: Frame: magnesium - RAL7035  
Fan: magnesium impeller & frame

Bearing option: ball bearing

Connection: terminal block

Protection: thermal

Options: tachometer output signal,  
thermistor speed control

Model No.	Rated Voltage V	Input Power W	Speed RPM	Air Volume		Max. Static Pressure (H <sub>2</sub> O)		Sound Noise dbA	Weight kg
				M <sup>3</sup> /Min.	CFM	MM	INCH		
MRF-220	115	102	2,800	11.3	435	64.00	2.52	79	4
	230	102	2,800	11.3	435	64.00	2.52	79	4

