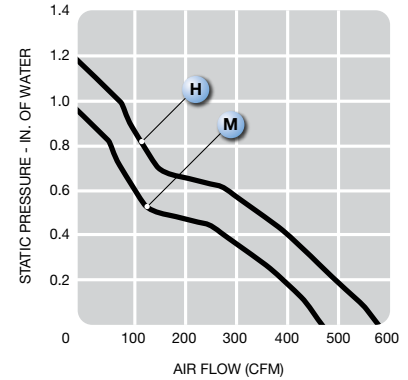
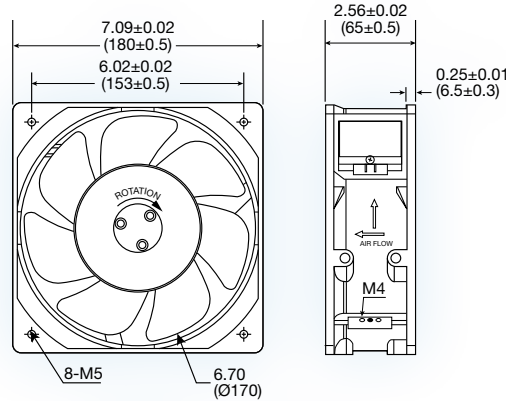


MM1865 series*



(180 x 180 x 65 mm)

7.09 x 7.09 x 2.56 inches

Construction: magnesium alloy impeller & frame

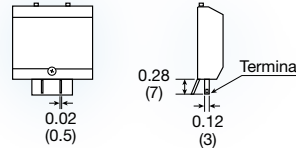
Bearing option: ball bearing

Connection: terminal or AWG 18 lead wire

Frame: flanged

Protection: thermal

Options: tachometer output or locked rotor alarm signal



Model No.	Rated Voltage V	Current mA		Speed RPM	Air Volume		Max. Static Pressure (H ₂ O)		Sound Noise dBa	Weight kg
		24	48		M ³ /Min.	CFM	MM	INCH		
MM1865M	24/48	2100	1000	3,200	13	465	25.40	0.96	59	1.55
MM1865H	24/48	3900	1950	4,000	16	580	30.48	1.2	65	1.55

*Not to be used for new designs

