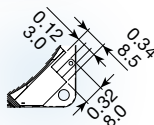
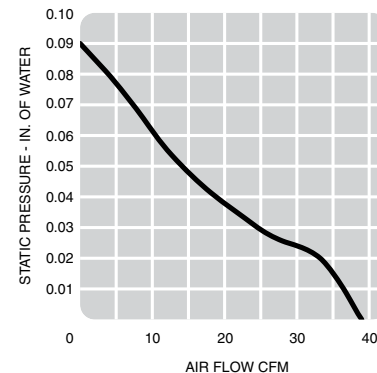
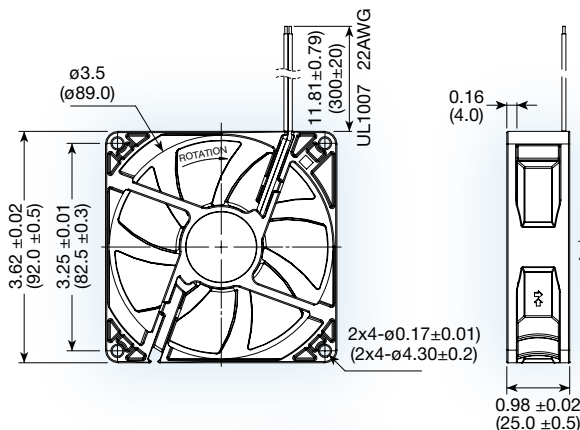




LPT92B99 series



(92 x 92 x 25 mm)

3.62 x 3.62 x 0.98 inches

Operating voltage: 95 to 264 VAC

Construction: plastic frame and impeller

Bearing option: ball bearing

Motor: electronically commutated

Air flow: exhaust over struts

Connection: lead wire UL1007 22AWG or terminal

Protection: auto restart

Options:

- tachometer
- PWM
- encapsulated motor (IP68)



Model No.	Rated Voltage V	Freq. HZ	Input Power W	Rated Cur. A	Speed RPM	Air Volume		Max. Static Pressure (H ₂ O)		Sound Noise dbA	Weight g
						M ³ /Min.	CFM	MM	INCH		
LPT92B99	115/230	60	3.0	0.06/0.04	2,650	1.1	39	2.3	0.09	34	93