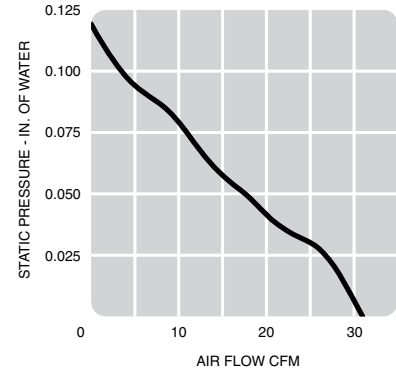
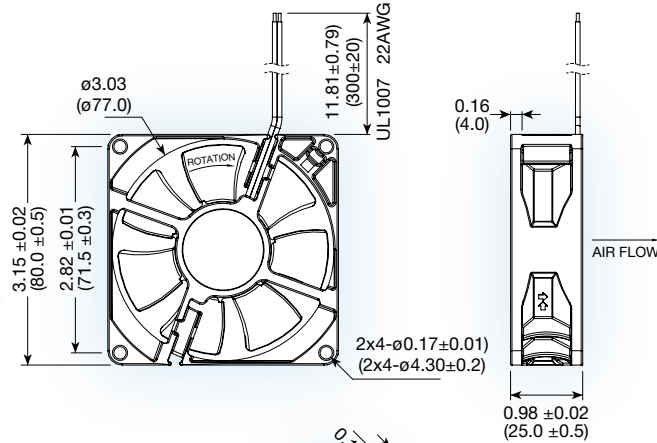




LPT80B99 series



(80 x 80 x 25 mm)

3.15 x 3.15 x 0.98 inches

Operating voltage: 95 to 264 VAC

Construction: plastic frame and impeller

Bearing option: ball bearing

Motor: electronically commutated

Air flow: exhaust over struts

Connection: lead wire UL1007 22AWG or terminal

Protection: auto restart

Options: • encapsulated motor (IP68)



Model No.	Rated Voltage V	Freq. HZ	Input Power W	Rated Cur. A	Speed RPM	Air Volume		Max. Static Pressure (H ₂ O)		Sound Noise dB(A)	Weight g
						M ³ /Min.	CFM	MM	INCH		
LPT80B99	115/230	60	2.8	0.06/0.04	3,150	0.9	31	3.1	0.12	35	72

