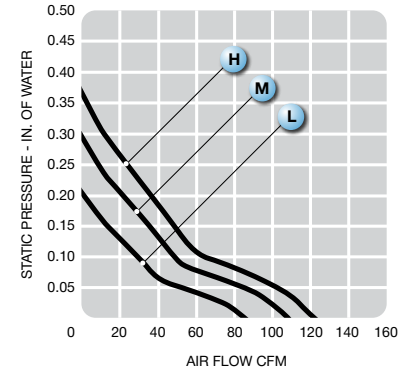
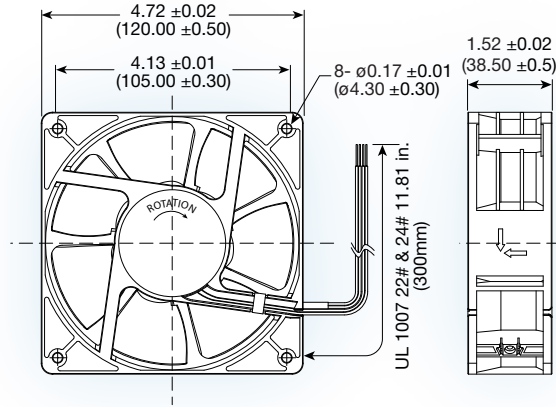




LPH12A99 series



(120 x 120 x 38 mm)
4.72 x 4.72 x 1.52 inches



Operating voltage: 100 to 240 VAC

Construction: plastic frame and impeller

Bearing option: ball bearing

Motor: electronically commutated

Air flow: exhaust over struts

Connection: lead wire UL1007 24AWG
or terminal

Protection: auto restart

Options:

- tachometer
- PWM
- encapsulated motor (IP68)
- ATEX



| Model No. | Rated Voltage V | Freq. HZ | Input Power W | Rated Cur. A | Speed RPM | Air Volume | | Max. Static Pressure (H ₂ O) | | Sound Noise dbA | Weight g |
|------------|--------------------|-------------|------------------|-----------------|--------------|----------------------|-----|---|------|--------------------|-------------|
| | | | | | | M ³ /Min. | CFM | MM | INCH | | |
| LPH12A99-L | 100-240 | 50/60 | 4.2 | 0.08 | 2,500 | 2.4 | 86 | 5.1 | 0.20 | 39 | 285 |
| LPH12A99-M | 100-240 | 50/60 | 6.2 | 0.12 | 3,000 | 3.1 | 110 | 7.4 | 0.29 | 45 | 285 |
| LPH12A99-H | 100-240 | 50/60 | 9.5 | 0.18 | 3,500 | 3.5 | 124 | 9.1 | 0.36 | 49 | 285 |