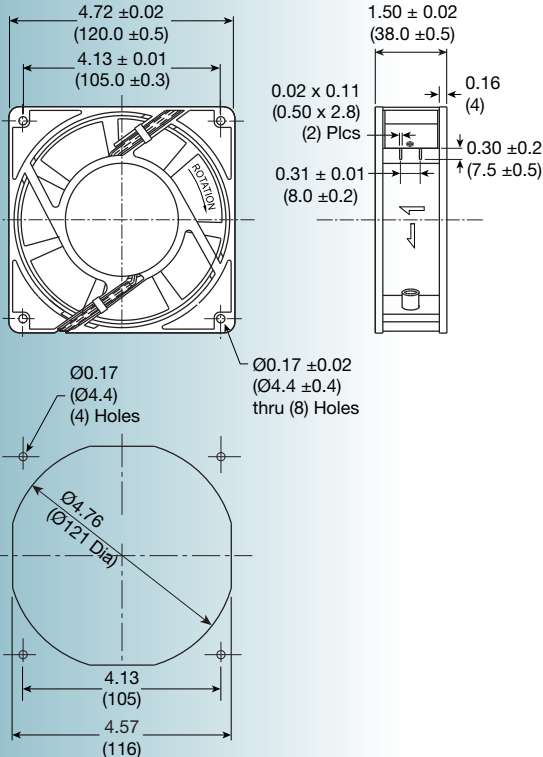


UX12AC series



Size: (120 mm x 120 mm x 38 mm)
4.72 x 4.72 x 1.50 inches

Features: high airflow model

Operating voltage (VAC): 115 or 230

Operating temp: $-10^{\circ}\text{C} \sim +60^{\circ}\text{C}$

Construction: aluminum die cast frame;
UL94V-0 plastic impeller

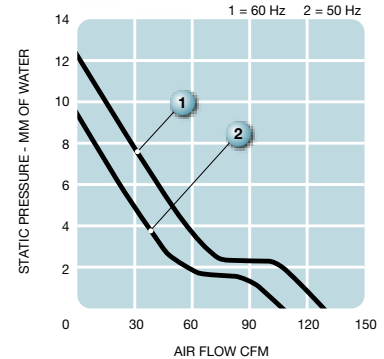
Bearing option: ball bearing

Motor: permanent split capacitor

Air flow: air exhaust over struts

Connection: terminal or 22 AWG lead wires

Protection: thermal



Model No.	Rated Voltage V	Freq. HZ	Input Power W	Rated Cur. A	Speed RPM	Air Volume		Max. Static Pressure (H ₂ O)		Sound Noise dbA	Weight oz
						M ³ /Min.	CFM	MM	INCH		
UX12AC12_H-7	115	50	22	0.17	2800	3.08	109	9.6	0.38	43	18
		60	22	0.18	3300	3.68	130	12.5	0.50	47	18
UX12AC23_H-7	230	50	21	0.10	2800	3.08	109	9.6	0.38	43	18
		60	21	0.11	3300	3.68	130	12.5	0.50	47	18