

## UF92B series

**Size: (92 x 92 x 25 mm)**  
**3.62 x 3.62 x 0.98 inches**

**Operating voltage (VAC):** 115 or 230

**Construction:** aluminum die cast frame;  
 UL94V-0 PBT impeller

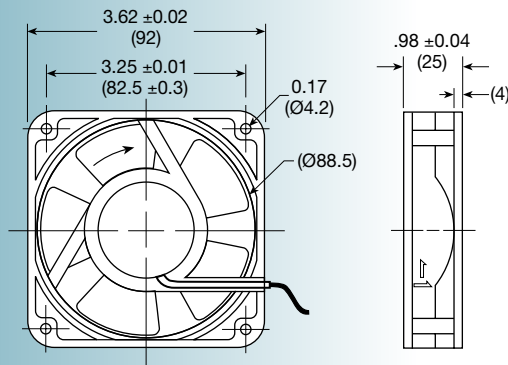
**Bearing option:** motor quality ball bearings or  
 sintered bronze sleeve

**Motor:** shaded pole

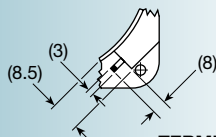
**Air flow:** exhaust over struts

**Connection:** terminal or 22 AWG lead wire

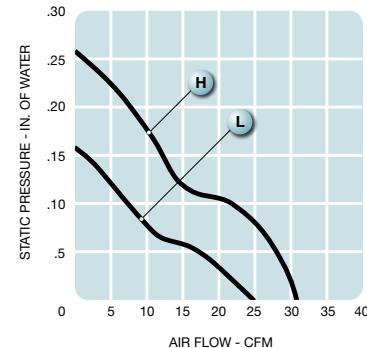
**Protection:** impedance



**LEAD WIRE**



**TERMINAL TYPE**



Model No.	Rated Voltage V	Freq. HZ	Input Power W	Rated Cur. A	Locked Cur. A	Speed RPM	Air Volume		Max. Static Pressure (H <sub>2</sub> O)		Sound Noise db	Weight oz
							M <sup>3</sup> /Min.	CFM	MM	INCH		
UF92B12-__H	115	60	11	0.12	0.13	3,000	0.87	31	6.5	0.26	36	10.0
UF92B23-__H	230	60	14	0.07	0.08	3,000	0.87	31	6.5	0.26	36	10.0
UF92B12-__L	115	60	11	0.11	0.12	2,300	0.70	25	4.0	0.16	32	10.0
UF92B23-__L	230	60	14	0.06	0.07	2,300	0.70	25	4.0	0.16	32	10.0