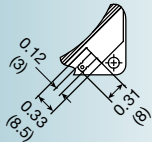
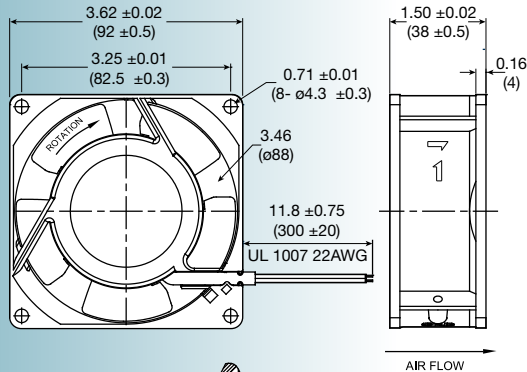


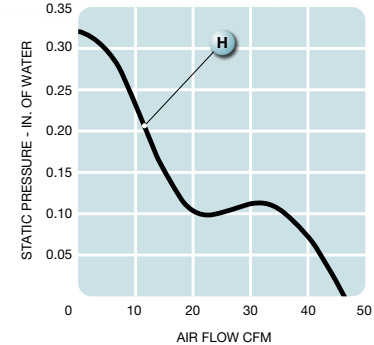
# AC

## UF92A series



**Size: (92 x 92 x 38 mm)**  
**3.62 x 3.62 x 1.50 inches**

- Operating voltage (VAC):** 115 or 230
- Construction:** aluminum die cast frame;  
UL94V-0 PBT impeller
- Bearing option:** motor quality ball bearings
- Motor:** shaded pole
- Air flow:** exhaust over struts
- Connection:** terminal or 22 AWG lead wire
- Protection:** impedance



Model No.	Rated Voltage V	Freq. HZ	Input Power W	Rated Cur. A	Locked Cur. A	Speed RPM	Air Volume		Max. Static Pressure (H <sub>2</sub> O)		Sound Noise db	Weight kg
							M <sup>3</sup> /Min.	CFM	MM	INCH		
UF92A12-__H	115	60	12	0.16	0.25	3300	1.3	46	8.1	0.32	38	0.45
UF92A23-__H	230	60	12	0.09	0.13	3300	1.3	46	8.1	0.32	38	0.45