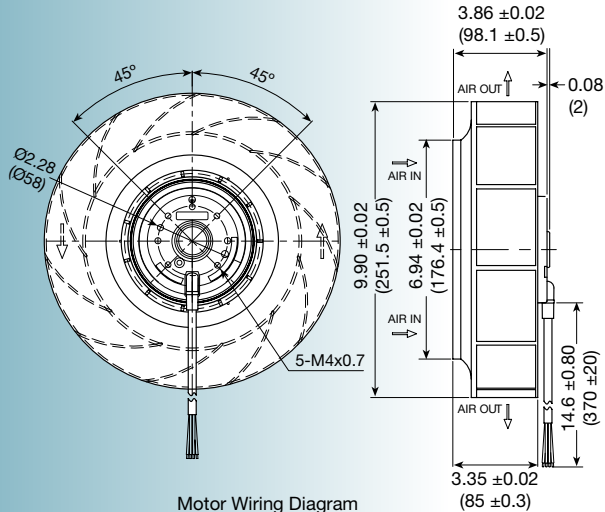
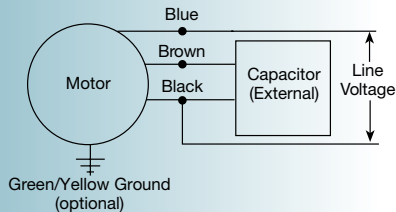


AC

UF250APA series

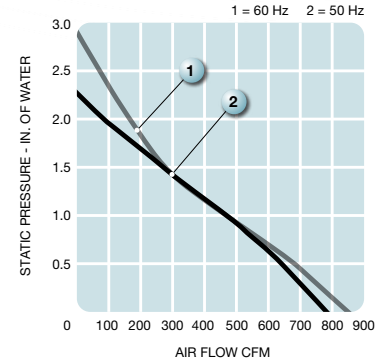


Motor Wiring Diagram



Size: (251 dia. x 98 mm)
9.90 dia. x 3.86 inches

- Features:** *backward curved impeller*
- Operating voltage (VAC):** 115 or 230
- Operating temp:** -40° ~ 50°C
- Construction:** aluminum die cast motor base, UL94V-0 reinforced nylon impeller
- Bearing option:** motor quality ball bearings
- Motor:** 2 pole permanent split capacitor, single phase
- Air flow:** centrifugal
- Connection:** AWM 2517
- Protection:** thermal
- Insulation:** Class B



Model No.	Rated Voltage V	Freq. HZ	Input Power W	Rated Cur. A	Locked Cur. A	Speed RPM	Air Volume		Max. Static Pressure (H ₂ O)		Sound Noise db	Weight kg
							M ³ /Min.	CFM	MM	INCH		
UF250APA12-H1C2A	115	50	170	1.50	3.10	2600	22	770	56	2.2	75	3.1
	115	60	240	2.10	3.00	2700	24	850	74	2.9	76	3.1
UF250APA12-H1C2A	230	50	170	0.77	1.57	2600	22	770	56	2.2	75	3.1
	230	60	240	1.00	1.52	2700	24	850	74	2.9	76	3.1