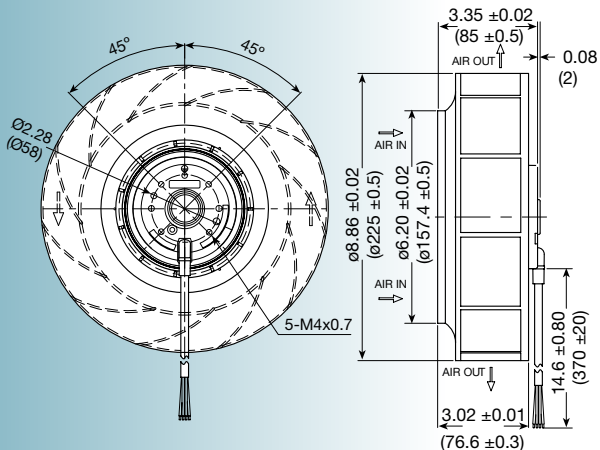
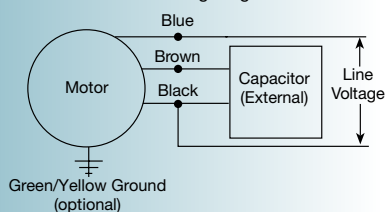


UF225(85)APA series

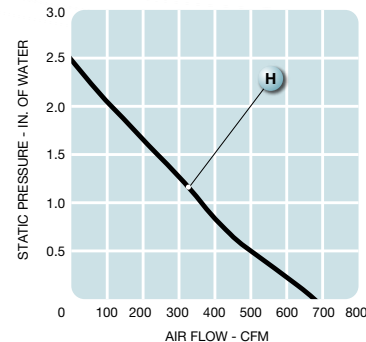


Motor Wiring Diagram



**Size: (225 dia. x 85 mm)
8.86 dia. x 3.35 inches**

- Features:** *backward curved impeller*
- Operating voltage (VAC):** 115 or 230
- Operating temp:** -40° ~ 50°C
- Construction:** aluminum die cast motor base, UL94V-0 reinforced nylon impeller
- Bearing option:** motor quality ball bearings
- Motor:** 2 pole permanent split capacitor, single phase
- Air flow:** centrifugal
- Connection:** AWM 2517 lead wires
- Protection:** thermal
- Insulation:** Class B



Model No.	Rated Voltage V	Freq. HZ	Input Power W	Rated Cur. A	Locked Cur. A	Speed RPM	Air Volume		Max. Static Pressure (H ₂ O)		Sound Noise db	Weight kg
							M ³ /Min.	CFM	MM	INCH		
UF225(85)APA12-H1C2A	115	60	160	1.20	2.30	3000	19.2	680	64	2.5	75	2.3
UF225(85)APA23-H1C2A	230	60	157	0.60	1.15	3000	19.2	680	64	2.5	75	2.3