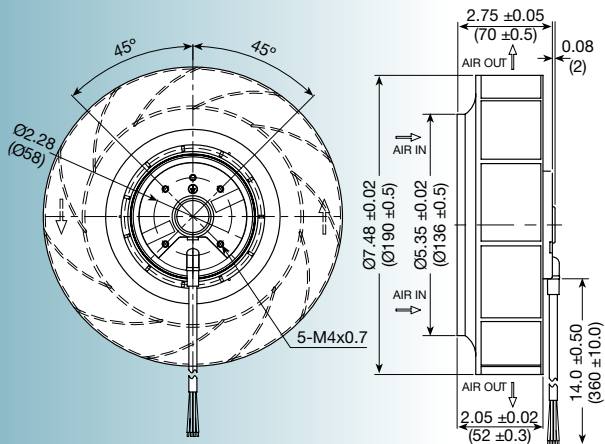
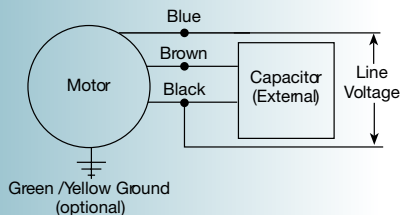


## UF190APA series

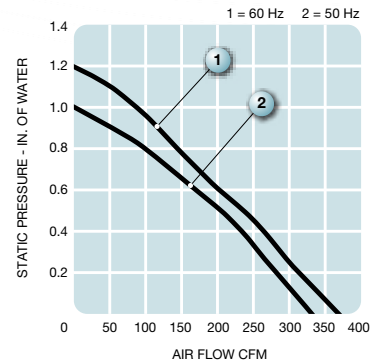


Motor Wiring Diagram



**Size: (190 dia. x 70 mm)  
7.48 dia. x 2.75 inches**

- Features:** *backward curved impeller*
- Operating voltage (VAC):** 115 or 230
- Operating temp:** -40° ~ 50°C
- Construction:** aluminum die cast motor base, UL94V-0 reinforced nylon impeller
- Bearing option:** motor quality ball bearings
- Motor:** 2 pole permanent split capacitor, single phase
- Air flow:** centrifugal
- Connection:** 22 AWG lead wires
- Protection:** thermal
- Insulation:** Class B



Model No.	Rated Voltage V	Freq. HZ	Input Power W	Rated Cur. A	Locked Cur. A	Speed RPM	Air Volume		Max. Static Pressure (H <sub>2</sub> O)		Sound Noise db	Weight kg
							M <sup>3</sup> /Min.	CFM	MM	INCH		
UF190APA12-H1C2A	115	50	55	0.45	0.92	2500	9.5	335	25	1.0	60	1.2
	115	60	65	0.54	0.91	2700	10.4	370	30	1.2	63	1.2
UF190APA23-H1C2A	230	50	57	0.23	0.43	2500	9.5	335	25	1.0	60	1.2
	230	60	72	0.30	0.45	2700	10.4	370	30	1.2	63	1.2