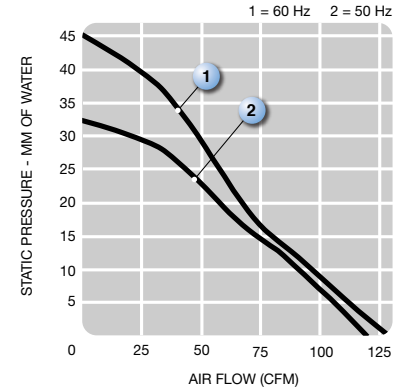
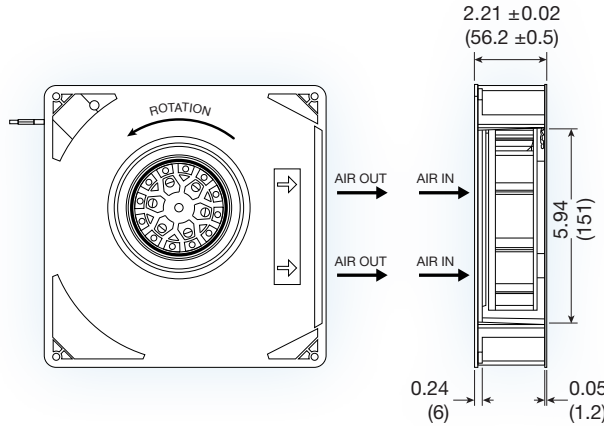


UF160DPB series



(220 x 220 x 56.2 mm)

8.66 x 8.66 x 2.21 inches

Features: high pressure blower

Operating voltage: 115 or 230 VAC

Construction: metal motor base, UL94V-0 plastic frame and impeller

Bearing option: ball bearing

Motor: shaded pole

Air Flow: side exhaust blower

Connection: 22 AWG lead wires

Protection: thermal

Model No.	Rated Voltage V	Freq. HZ	Input Power W	Rated Cur. A	Locked Cur. A	Speed RPM	Air Volume		Max. Static Pressure (H ₂ O)		Sound Noise dBa	Weight kg
							M ³ /Min.	CFM	MM	INCH		
UF160DPB12-H1S2A	115	50	50	0.70	0.94	2,700	3.3	118	32.5	1.3	63	1.73
		60	52	0.60	0.80	2,900	3.6	126	45.0	1.8	65	1.73
UF160DPB23-H1S2A	230	50	50	0.40	0.46	2,700	3.3	118	32.5	1.3	63	1.73
		60	53	0.30	0.40	2,900	3.6	126	45.0	1.8	65	1.73