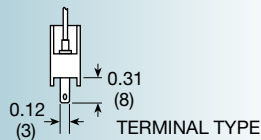
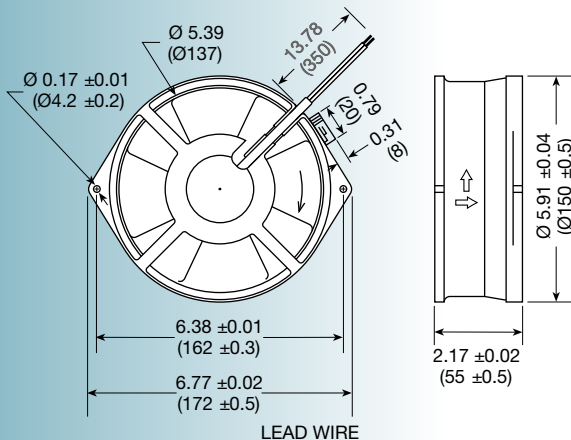


UF15KM series



**Size: (172 x 150 x 55 mm)
6.77 x 5.91 x 2.17 inches**

Features: *metal frame and impeller; Class F (155°) insulation; operating temperature range -40°C ~ 90°C, high-temp bearing lubricant*

Operating voltage (VAC): 115 or 230

Construction: aluminum die cast frame; metal impeller

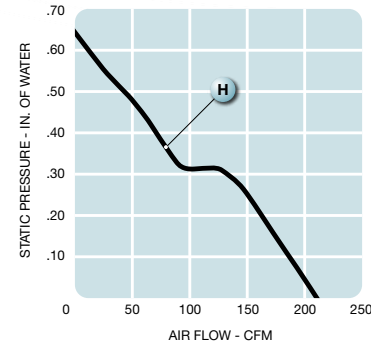
Bearing option: motor quality ball bearings

Motor: shaded pole

Air flow: exhaust over struts

Connection: terminal or 22 AWG lead wire

Protection: thermal



Model No.	Rated Voltage V	Freq. HZ	Input Power W	Rated Cur. A	Locked Cur. A	Speed RPM	Air Volume		Max. Static Pressure (H ₂ O)		Sound Noise db	Weight oz
							M ³ /Min.	CFM	MM	INCH		
UF15KM12 - __H	115	60	42	0.47	0.75	3,250	6.5	230	16	0.63	53	39
UF15KM23 - __H	230	60	42	0.23	0.37	3,250	6.5	230	16	0.63	53	39