

**Size: (120 x 120 x 38 mm)  
4.72 x 4.72 . 1.5 inches**

**Features:** exceptional airflow for 120mm AC fan,  
constant speed over wide input voltage

**Operating voltage (VAC):** 85 ~ 264 VAC

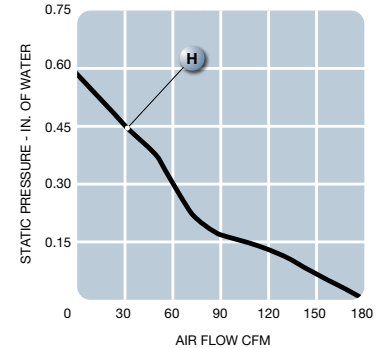
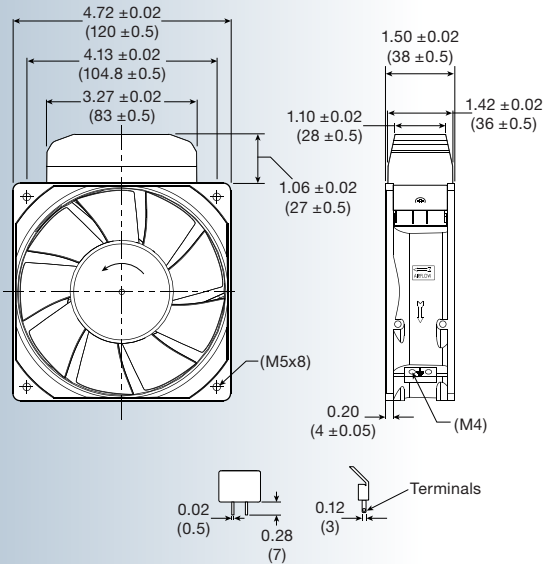
**Construction:** aluminum die cast frame with  
UL94V-0 plastic impeller

**Bearing option:** motor quality ball bearings

**Motor:** DC motor run from AC input

**Air flow:** air exhaust over struts

**Connection:** terminal type



Model No.	Rated Voltage V	Freq. HZ	Input Power W	Speed RPM	Air Volume		Max. Static Pressure (H <sub>2</sub> O)		Sound Noise dbA	Weight g
					M <sup>3</sup> /Min.	CFM	MM	INCH		
<b>MG1238H99B</b>	85 ~ 264	50/60	15	3900	5.1	180	14.7	0.59	57	500