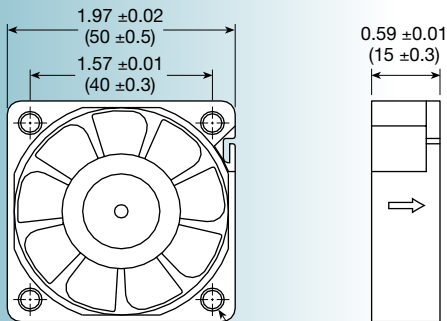
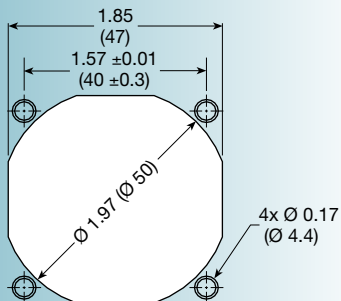


## G5015 series

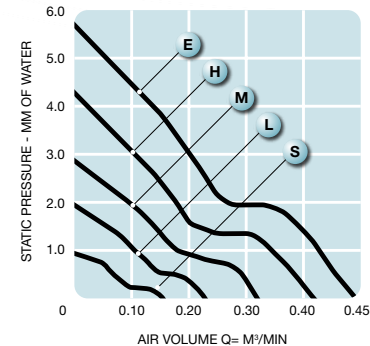


4x  $\varnothing 0.17$   
( $\varnothing 4.4$ )



**Size: (50 x 50 x 15 mm)**  
**1.97 x 1.97 x 0.59 inches**

- Construction:** UL94V-0 PBT impeller & frame
- Bearing option:** ball bearing
- Connection:** AWG 26, UL1061 lead wires
- Frame:** ribbed
- Protection:** thermal
- Options:** tachometer output or locked rotor alarm signal



| Model No.     | Rated Voltage V | Current mA |     |     | Revolution RPM | Air Volume |       | Max. Static Pressure (H <sub>2</sub> O) |      | Sound Noise dbA | Weight g |
|---------------|-----------------|------------|-----|-----|----------------|------------|-------|---|------|-----------------|----------|
|               |                 | 5          | 12  | 24  |                | M³/Min.    | CFM   | MM                                      | INCH |                 |          |
| <b>G5015S</b> | 5/12/24         | 150        | 80  | 70  | 2,500          | 0.15       | 5.00  | 0.92                                    | 0.04 | 20              | 20       |
| <b>G5015L</b> | 5/12/24         | 220        | 130 | 100 | 3,500          | 0.22       | 8.00  | 1.94                                    | 0.08 | 22              | 20       |
| <b>G5015M</b> | 5/12/24         | 300        | 200 | 140 | 4,500          | 0.31       | 11.00 | 2.86                                    | 0.11 | 24              | 20       |
| <b>G5015H</b> | 5/12/24         | 400        | 280 | 180 | 5,500          | 0.37       | 13.00 | 4.29                                    | 0.17 | 29              | 20       |
| <b>G5015E</b> | 12/24           | -          | 400 | 250 | 6,500          | 0.44       | 16.00 | 5.71                                    | 0.22 | 34              | 20       |