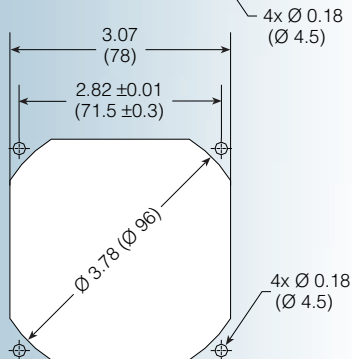
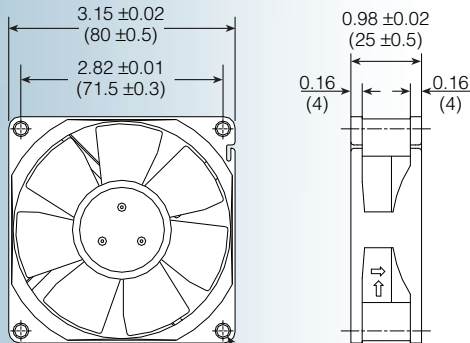


## G8025-E series



**Size: (80 x 80 x 25 mm)**  
**3.15 x 3.15 x 0.98 inches**

**Construction:** UL94V-0 PBT impeller & frame

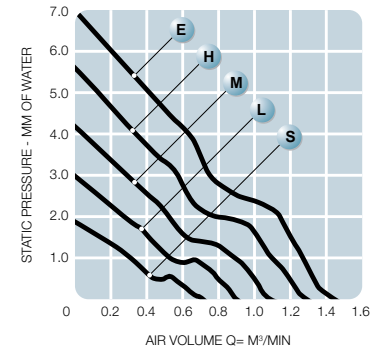
**Bearing option:** ball bearing

**Connection:** AWG 24, UL1007 lead wires

**Frame:** flanged or ribbed

**Protection:** thermal

**Options:** tachometer output signal;  
 locked rotor alarm signal;  
 PWM duty control



Model No.	Rated Voltage V	Current mA		Revolution RPM	Air Volume		Max Static Pressure (H <sub>2</sub> O)		Sound Noise dBA	Weight g
		12	24		M <sup>3</sup> /Min	CFM	MM	INCH		
<b>G8025S-E</b>	12/24	120	70	2,000	0.73	26	1.90	0.07	22	79
<b>G8025L-E</b>	12/24	180	90	2,500	0.92	32	3.00	0.12	26	79
<b>G8025M-E</b>	12/24	250	150	3,000	1.10	39	4.20	0.17	30	79
<b>G8025H-E</b>	12/24	400	230	3,500	1.36	48	5.60	0.22	35	79
<b>G8025E-E</b>	12/24	600	300	4,000	1.47	52	7.00	0.28	39	79