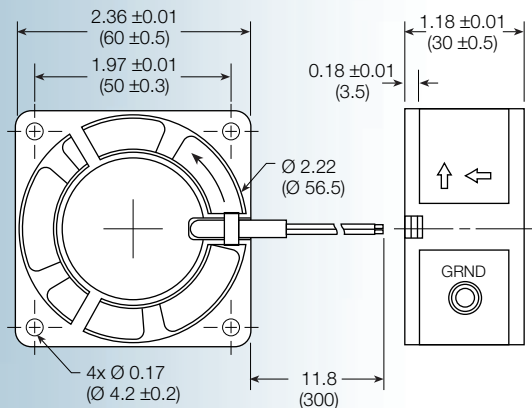


## UF60D series



LEAD WIRE TYPE

**Size: (60 x 60 x 30 mm)**  
**2.36 x 2.36 x 1.18 inches**

**Operating voltage (VAC):** 115 or 230

**Construction:** aluminum die cast frame;  
 UL94V-0 PBT impeller

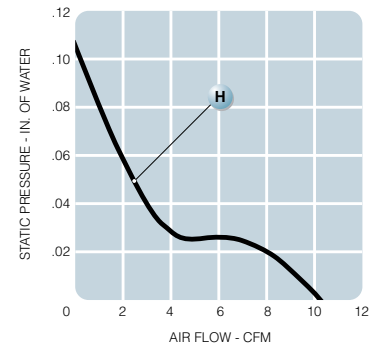
**Bearing option:** motor quality ball bearings

**Motor:** shaded pole

**Air flow:** exhaust over struts

**Connection:** 22 AWG lead wire

**Protection:** impedance



Model No.	Rated Voltage V	Freq. HZ	Input Power W	Rated Cur. A	Locked Cur. A	Speed RPM	Air Volume		Max Static Pressure (H <sub>2</sub> O)		Sound Noise dB	Wt OZ
							M <sup>3</sup> /Min	CFM	MM	INCH		
UF60D12-__H	115	60	4	0.035	0.040	3,100	0.29	10.2	2.8	0.11	28	4.9
UF60D23-__H	230	60	4	0.016	0.020	3,100	0.29	10.2	2.8	0.11	28	4.9