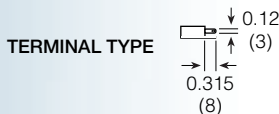
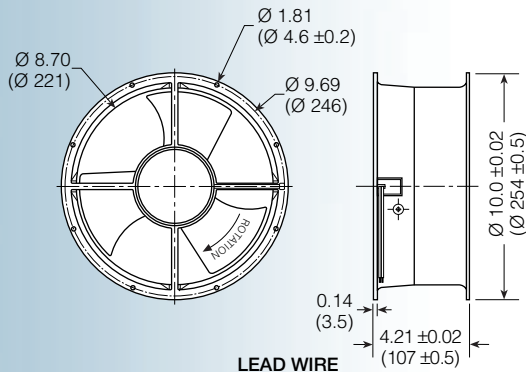


UF25HC series



**Size: (254 dia. x 107 mm)
10.0 dia. x 4.21 inches**

Features: capacitor start motor

Operating voltage (VAC): 115 or 230

Construction: aluminum die cast frame;
UL94V-0 PBT impeller

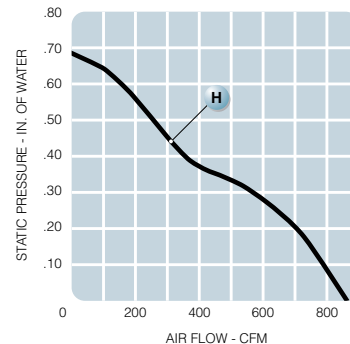
Bearing option: motor quality ball bearings

Motor: capacitor start

Air flow: exhaust over struts

Connection: terminal or 22 AWG lead wire

Protection: thermal



Model No.	Rated Voltage V	Freq. HZ	Input Power W	Rated Cur. A	Locked Cur. A	Speed RPM	Air Volume		Max Static Pressure (H ₂ O)		Sound Noise dB	Wt LBS
							M ³ /Min	CFM	MM	INCH		
UF25HC12-__H	115	60	125	1.07	1.50	2,750	24	850	17.5	0.68	65	5.5
UF25HC23-__H	230	60	125	0.50	0.75	2,750	24	850	17.5	0.68	65	5.5