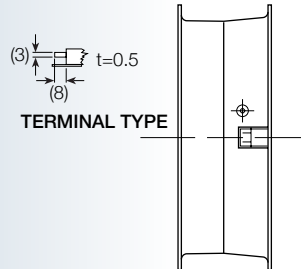
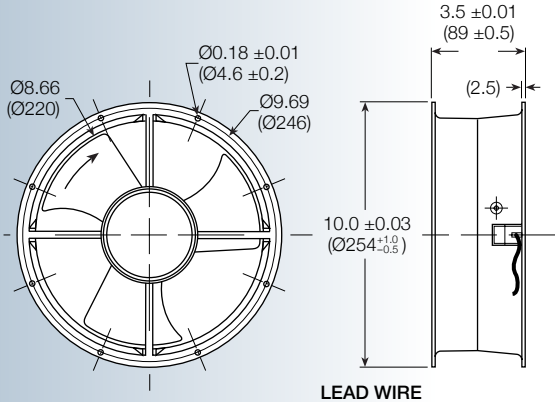


# AC

## UF25GC series



**Size: (254 dia. x 89 mm)  
10.0 dia. x 3.5 inches**

**Operating Voltage (VAC): 115 or 230**

**Construction:** aluminum die cast frame;  
UL94V-0 PBT impeller

**Bearing Option:** motor quality ball bearings

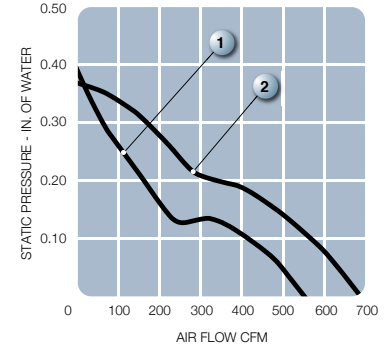
**Motor:** capacitor start

**Airflow:** exhaust over struts

**Connection:** terminal or 22 AWG lead wires

**Protection:** thermal

**Insulation:** class B



Model No.	Rated Voltage V	Freq. HZ	Input Power W	Rated Cur. A	Locked Cur. A	Speed RPM	Air Volume		Max. Static Pressure (H <sub>2</sub> O)		Sound Noise dbA	Weight kg	Curve
							M <sup>3</sup> /Min.	CFM	MM	INCH			
UF25GC12-__H	115	60	33	0.29	0.51	1,650	15.5	550	10	0.40	56	4.2	1
UF25GC23-__H	230	60	33	0.14	0.25	1,650	15.5	550	10	0.40	56	4.2	1
UF25GCA12-__H	115	60	75	0.66	0.70	2,600	19.2	680	9.4	0.37	58	4.2	2