

UF17PC series

**Size: (172 dia. x 51 mm)
6.77 dia. x 2.0 inches**

Features: capacitor start motor

Operating voltage (VAC): 115 or 230

Construction: aluminum die cast frame;
UL94V-0 PBT impeller

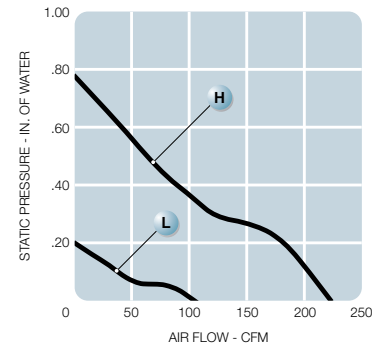
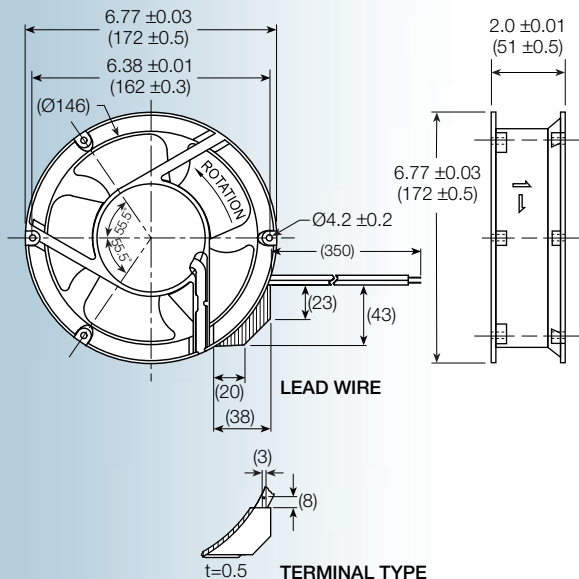
Bearing option: motor quality ball bearings

Motor: capacitor start

Air flow: exhaust over struts

Connection: terminal or 22 AWG lead wire

Protection: thermal



Model No.	Rated Voltage V	Freq. HZ	Input Power W	Rated Cur. A	Locked Cur. A	Speed RPM	Air Volume		Max Static Pressure (H ₂ O)		Sound Noise dB	Wt OZ
							M ³ /Min	CFM	MM	INCH		
UF17PC12 - __H	115	60	31	0.25	0.43	3,400	6.4	226	20	0.79	58	32
UF17PC23 - __H	230	60	29	0.12	0.19	3,400	6.4	226	20	0.79	58	32
UF17PC12 - __L	115	60	31	0.15	0.20	1,700	3.0	106	5.5	0.22	37	32
UF17PC23 - __L	230	60	29	0.07	0.09	1,700	3.0	106	5.5	0.22	37	32