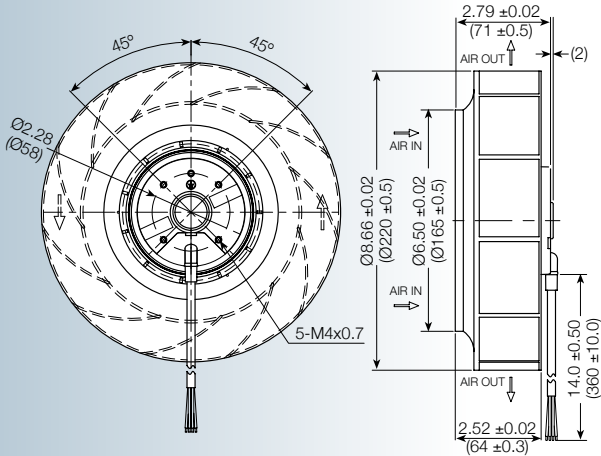
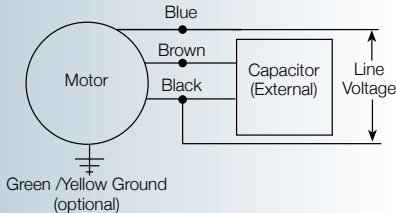


UF220APA series



Motor Wiring Diagram



**Size: (220 dia x 71 mm)
8.66 dia x 2.79 inches**

Features: backward curved impeller

Operating voltage (VAC): 115 or 230

Operating Temp: -40°C ~ 50°C

Construction: aluminum die cast motor base
UL94V-0 reinforced nylon impeller

Bearing option: motor quality ball bearings

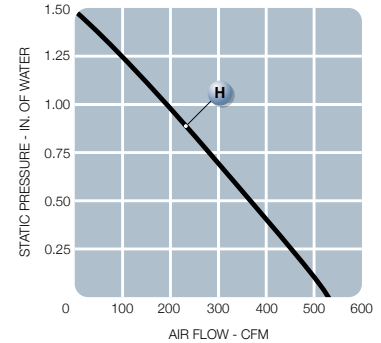
Motor: 2 pole permanent split capacitor,
single phase

Air flow: centrifugal

Connection: 22 AWG lead wires; nom. 14 inches

Protection: thermal

Insulation: Class B



Model No.	Rated Voltage V	Freq. HZ	Input Power W	Rated Cur. A	Locked Cur. A	Speed RPM	Air Volume		Max Static Pressure (H ₂ O)		Sound Noise dB	Wt LBS
							M ³ /Min	CFM	MM	INCH		
UF220APA12-H1C2A	115	60	117	0.98	1.22	2,650	15	530	38	1.5	70	2.9
UF220APA23-H1C2A	230	60	117	0.50	0.58	2,650	15	530	38	1.5	70	2.9