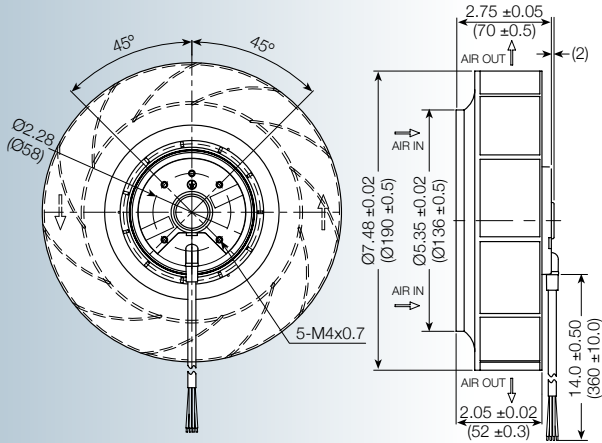
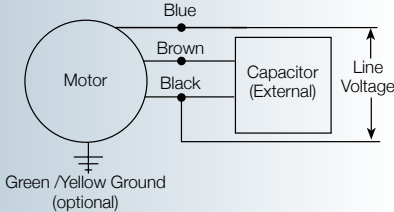


# UF190APA series



**Motor Wiring Diagram**



**Size: (190 dia x 70 mm)  
7.48 dia x 2.76 inches**

**Features:** backward curved impeller

**Operating voltage (VAC):** 115 or 230

**Operating Temp:** -40°C ~ 50°C

**Construction:** aluminum die cast motor base  
UL94V-0 reinforced nylon impeller

**Bearing option:** motor quality ball bearings

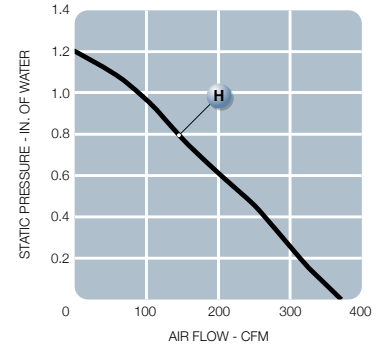
**Motor:** 2 pole permanent split capacitor,  
single phase

**Air flow:** centrifugal

**Connection:** 22 AWG lead wires; nom. 14 inches

**Protection:** thermal

**Insulation:** Class B



Model No.	Rated Voltage V	Freq. HZ	Input Power W	Rated Cur. A	Locked Cur. A	Speed RPM	Air Volume		Max Static Pressure (H <sub>2</sub> O)		Sound Noise dB	Wt LBS
							M <sup>3</sup> /Min	CFM	MM	INCH		
<b>UF190APA12-H1C2A</b>	115	60	65	0.54	0.91	3,000	10.5	370	30.5	1.2	63	2.6
<b>UF190APA23-H1C2A</b>	230	60	72	0.30	0.45	3,000	10.5	370	30.5	1.2	63	2.6